

■ Programmable Low Cost Digital Panel Meter UM 3300

Characteristics

- Input for standard signals 0-10V and 0/4-20 mA
- LED Display, red, 4 decades, 14 mm
- Display Range -999 - 9999
- DIN Housing 96 x 48 mm
- free scaling
- Isolated Power Supply
- Power supply 5 VDC - 36 VDC
- Plug-In Screw Terminal
- Programmable front buttons



Measuring Ranges

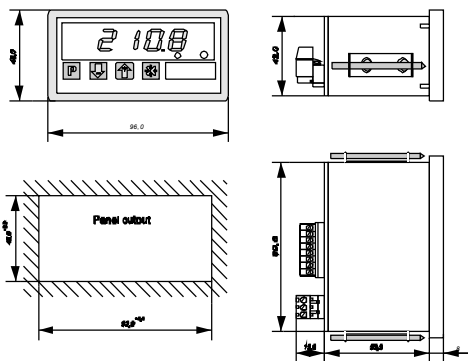
- Input Voltage Range 0 - 10 V
- Input Current Range 0 - 20 mA
- Input Current Range 4 - 20 mA
- Resolution 12 bit

Software Functions

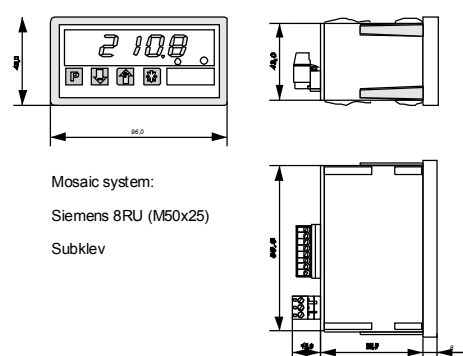
- Scaling-factor
- Digital filtering
- Taring
- Min/Max detection
- Decimal point
- Functions of three push buttons at the front
- Display test

Dimensions

Switch board



Panel Clip



Specifications

Ranges	
Voltage	: 0..10 V, ±0,05%, ± 1digit
Input impedance	: > 50 kΩ
Current	: 0(4)..20mA, ±0,05%, ±1digit
Input impedance	: 10 Ω
Resolution	: 12 Bit
Conversion rate	: approx. 5 per sec
Display	: 4 decades, 14.2 mm, red programmable decimal point, leading zero suppression minus sign
Display range	: -999 .. 9999
Operation, keyboard design	: front membrane w/ push buttons
Power supply DC	: 5 V to 36 V DC, isolated
Power consumption	: max. 65 mA
Case	: 96 x 48 x 63.5 mm
Depth	: <72 mm incl. screw terminal
Protection case at front	: IP 54
Protection case connection	: IP 20
EMV	: conform to 89/336/EWG
Operating temperature	: 0 .. 50 °C
Storage temperature	: -25 .. 80 °C
Humidity	: < 80 %, not-condensing
Field of application	: class 2 overvoltage protection II
Weight	: approx. 200 g

Ordering Information

UM3300-	0	0	x	0	x	
						Housing
						0 Switchboard mounting
						1 Panel clip
						Reserved
						Front design
						0 Reserved
						1 ERMA-Meter logo
						2 No logo