



More Precision.

wireSENSOR

Draw-wire displacement sensors

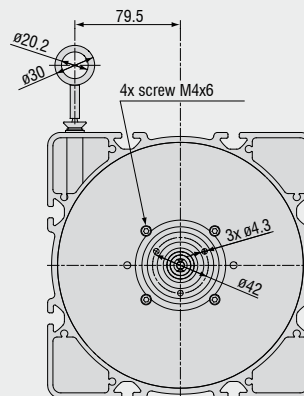
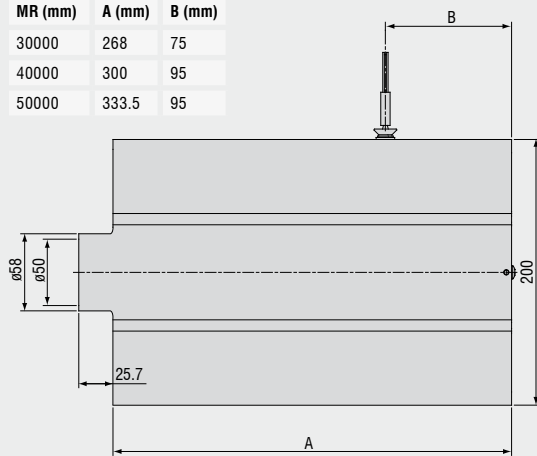




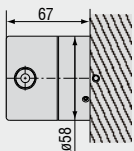
- Robust aluminium profile housing
- Customized versions for OEM
- Incremental/absolute encoder

Model P200

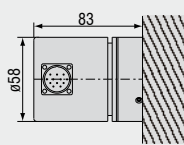
MR (mm)	A (mm)	B (mm)
30000	268	75
40000	300	95
50000	333.5	95



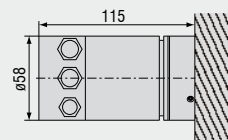
Output P200-HTL/TTL



Output P200-SSI



Output P200-CO/PB



Model		WDS-30000-P200	WDS-40000-P200	WDS-50000-P200
Measuring range		30000mm	40000mm	50000mm
Output		HTL/ TTL/ SSI/ PB/ CO		
Travel per encoder revolution		500mm		
Linearity	± 0.01% FSO	3mm	4mm	5mm
Resolution	HTL, TTL	0.167mm (6 pulses/mm)		
	SSI, PB, CO	0.061mm		
Temperature range		-20 ... +80°C		
Sensor element		incremental/absolute encoder		
Material	housing	aluminium		
	draw wire	coated polyamid stainless steel (ø 0.8mm)		
Wire mounting		eyelet		
Sensor mounting		slot nuts		
Wire acceleration		2g		
Wire retraction force (min)		12N	11N	11N
Wire extension force (max)		22N	22N	24N
Protection class		IP 65		
Electrical connection	HTL, TTL	integrated cable, radial, 1m long		
	SSI	flange connector, radial, 12-pin		
	PB/ CO	bus cover		
Weight		appr. 10kg	appr. 11kg	appr. 12kg

FSO = Full Scale Output
Specifications for digital outputs on page 44.

Article description

WDS - 30000 - P200 - CR - TTL

Output options:

HTL

TTL

CO: CANopen

PB: Profibus DP

SSI

Connection:

SR (Output SSI): radial plug

CR (Output HTL, TTL): integrated cable, radial, 1m

BH (Output CO, PB): bus cover

Model P200

Measuring range in mm

High performance sensors made by Micro-Epsilon



Sensors and systems for displacement, position and dimension

Eddy current displacement sensors
Optical and laser sensors
Capactive sensors
Linear inductive sensors
Draw wire displacement sensors
Laser micrometer
2D/3D profile sensors (laser scanner)
Image processing



Sensors and systems for non-contact temperature measurement

IR handheld
Stationary IR sensors
Thermal imager



Turn key systems for quality inspection

of plastics and film
of tires and rubber
of endless band material
of automotive components
of glass



MICRO-EPSILON Headquarters

Koenigbacher Str. 15 · 94496 Ortenburg / Germany
Tel. +49 (0) 8542 / 168-0 · Fax +49 (0) 8542 / 168-90
info@micro-epsilon.com · www.micro-epsilon.com

MICRO-EPSILON UK Ltd.

Unit 1 Pioneer Business Park · Ellesmere Port · CH65 1AD
Phone +44 (0) 151 355 6070
info@micro-epsilon.co.uk · www.micro-epsilon.co.uk

MICRO-EPSILON USA

8120 Brownleigh Dr. · Raleigh, NC 27617 / USA
Phone +1/919/787-9707 · Fax +1/919/787-9706
info@micro-epsilon.us · www.me-sensor.com